

Supplies List:

MDF – 1/2" and 1/4" – Home Depot or Lowest

Modge Podge – Any Craft store

Paint – #6503 Shermin Williams - Bosporus

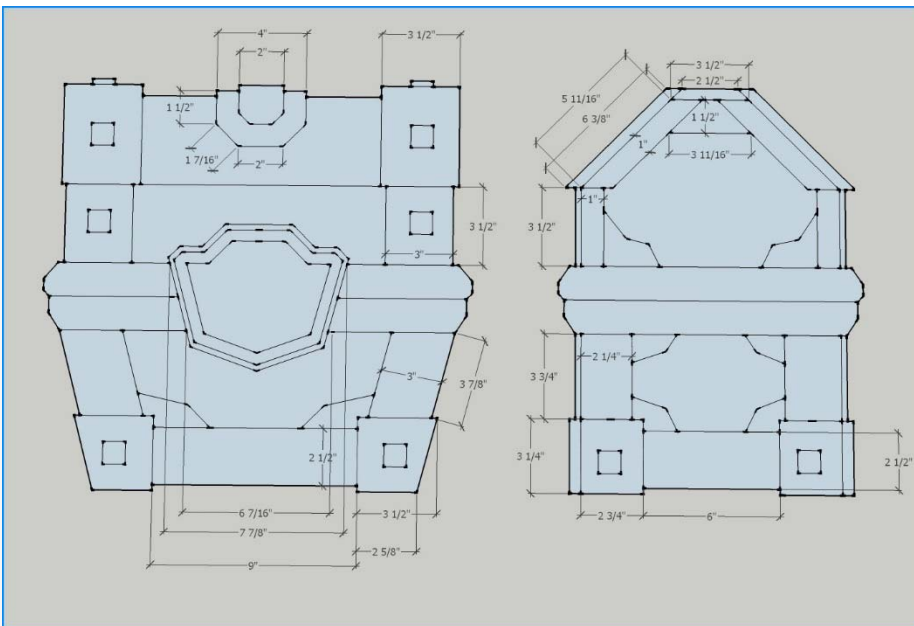
Holographic Paper – Any craft store

Hinges – Home Depot or Lowes

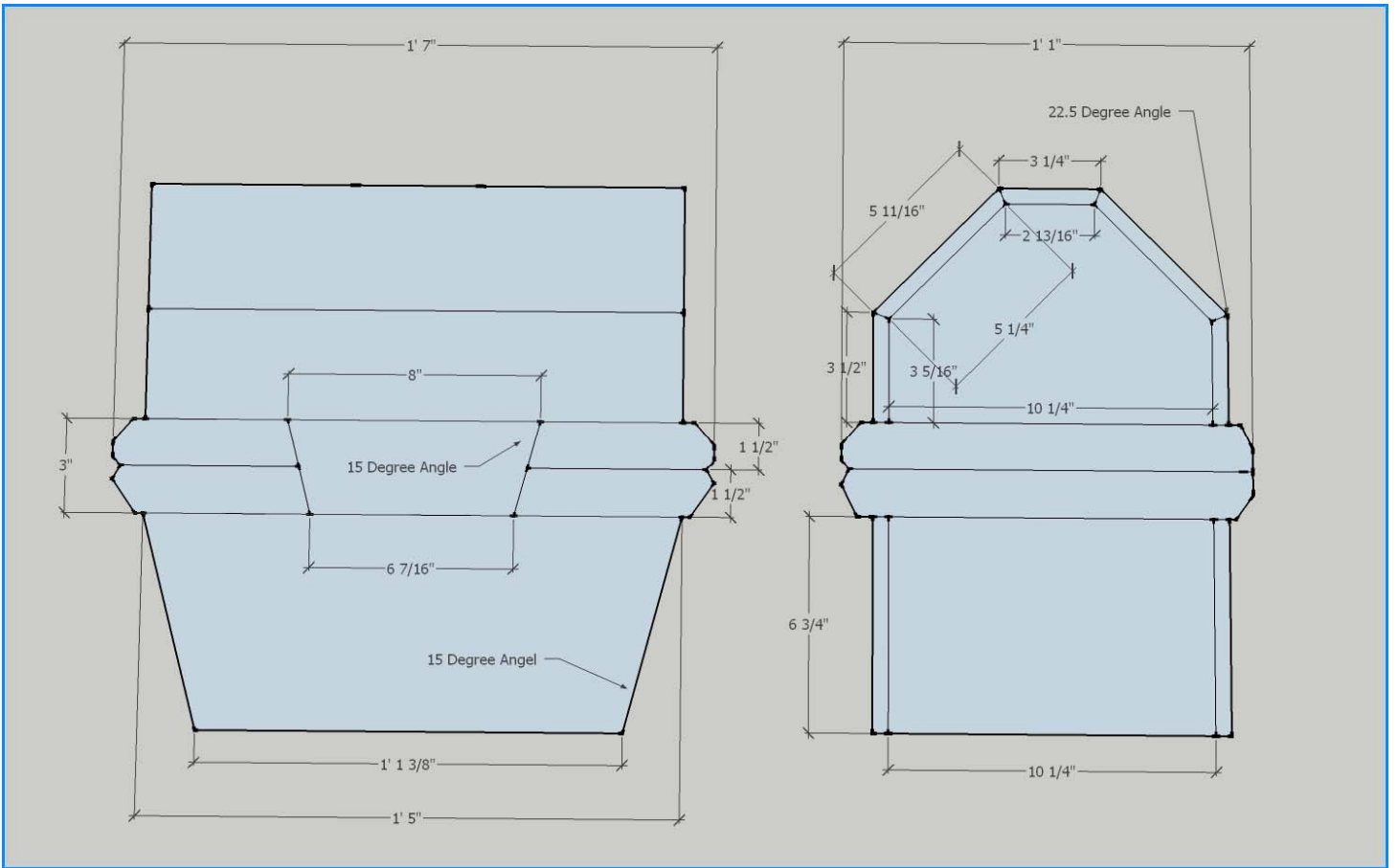
Wood Glue – Home depot or Lowes or https://www.amazon.com/Elmers-E7010-Carpenters-Interior-Ounces/dp/B0045PTHH8/ref=sr_1_3?s=hardware&ie=UTF8&qid=1485984908&sr=1-3&keywords=wood+glue

Nails – For Nail Gun

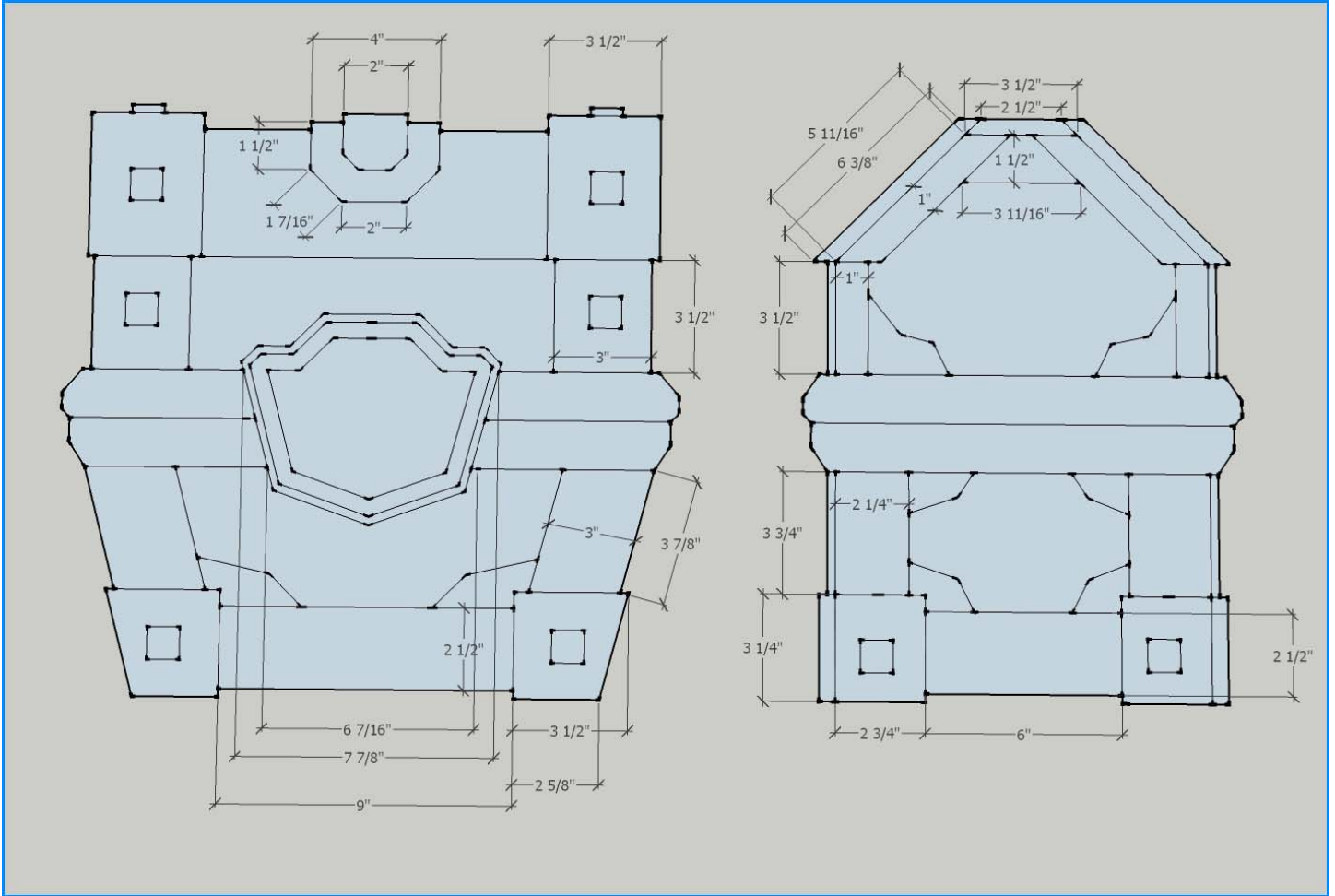
Hardware – 1" Square Clavos - http://www.ebay.com/itm/Signature-Hardware-Hand-Forged-Iron-Square-Pyramid-Nail-Head-Clavos-Set-of-6-/361681103444?var=&hash=item5435dfaa54:m:mYsh_WXR1uL9w7kWmtWmzSw



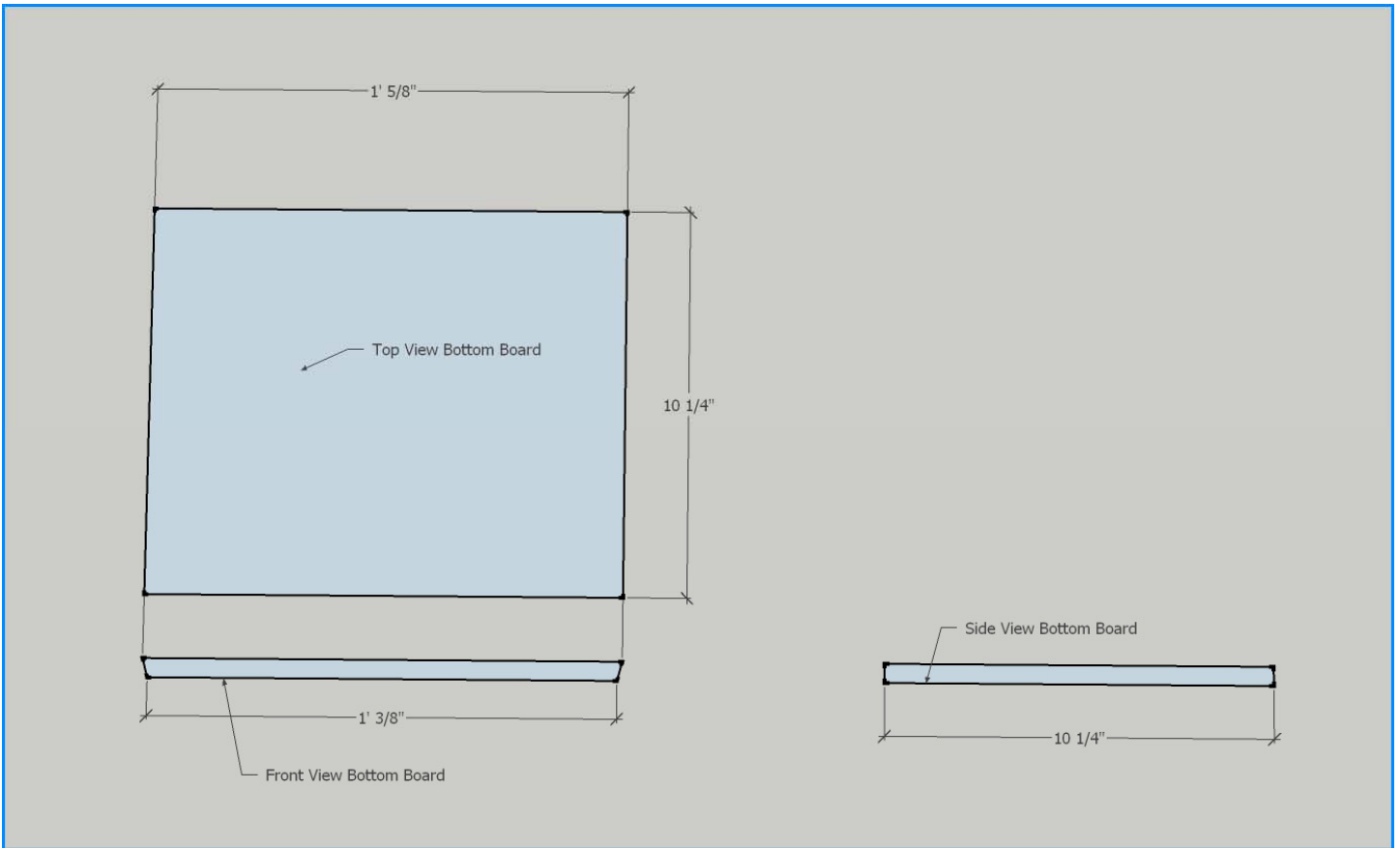
MAIN CHEST



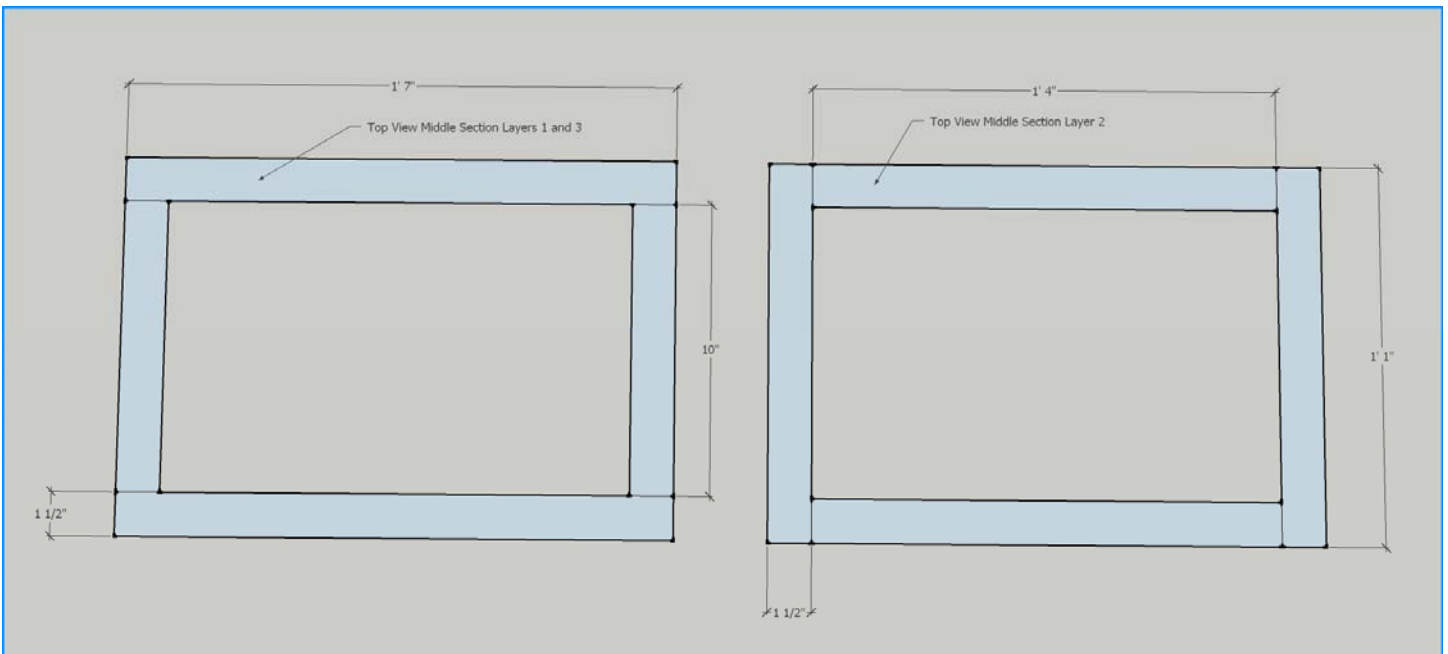
TRIM



BOTTOM BOARD



MIDDLE SECTION



Install Notes:

The main chest consists of $\frac{1}{2}$ " MDF

The Trim is a combination of $\frac{1}{2}$ " and $\frac{1}{4}$ " MDF. The "feet" and top and side portions of the top trim are $\frac{1}{2}$ " and the rest is $\frac{1}{4}$ "

Watching the video is the best way to go to make sure the sizes are correct

The "MIDDLE PORTION" of the chest consists of 3 layers of $\frac{1}{2}$ " Trim pieces that were cut to 1.5" in width.

The "EMBLEM" consists of 3 layers of $\frac{1}{2}$ " MDF plus one layer of different color smaller $\frac{1}{4}$ " MDF

Please **subscribe** to my channel or donate if Desired!!

Let me know if I missed anything in Youtube Comments and I hope I can fix it in these notes!